

frogStation

SIP door station/intercom. Integrated 3.5" touch display for flexible display of several bell buttons or functions (multi-party capable). Access control with PIN and/or RFID interface (MIFARE® DesFire® EV2). Connection and power supply via network cable (PoE) or 24 V AC/DC via bell wire and WLAN. Integrated potential-free relay (max. 24 V/1 A) and 2 potential-free inputs. USB-C connection for expansion modules. Expansion options via integrated Bluetooth® frogblue mesh interface.



Technical data

Category

Article description	frogStation
Item number	ST-kl-wh.02
Mounting type	surface-mounted

Functions & performance

Surface	Plastic lacquered
Color	white
Interfaces	WLAN, PoE, Bluetooth
RFID	MIFARE DESFire EV2 8k
Equipment	Microphone, loudspeaker, proximity & brightness sensor, touchscreen user interface
Functions	SIP video telephony, multiparty capability, event search, access control, multi-factor authentication, integration into the frog blue system possible and can be operated via the cloud
Remote stations	SIP-Video-Telefon (diverse Hersteller, z.B. GrandStream oder Fritz!Phone), frogStation, mobilApp frogSIP

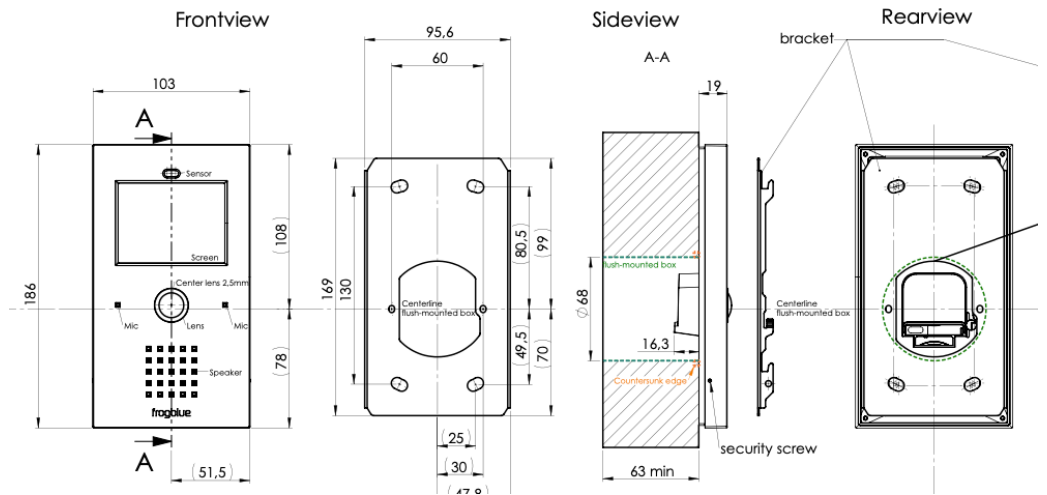
frogStation

Dimensions and weight

Dimensions (L x W x H):

186 x 103 x 35,3 mm

Weight: 3600g



Box depth

min. 53 mm for installation behind switch insert,

recommended 63 mm for installation behind switch insert

Power supply

Power supply voltage

12-24VDC (12W), 24VAC (12W), PoE (802.3af, Klasse 3)

Stand-by consumption

5W

Inputs

Quantity

2, connection of potential-free contacts (self-supply 2 V / max. 1mA)
or low voltage contacts (max. 30W / 50VDC)

Outputs

Quantity

1, (potential-free) (max. 30W(50V))

Netzwerk

WLAN

802.11 b/g/n; 2,4 GHz, 5 GHz

Bluetooth®

Bluetooth® 4.2 Low Energy

Frequenzband

2400-2483,5 MHz max. 13,2dBm

Operation and storage

Ambient temperature

-25°C bis +45°C

Storage temperature

-25°C bis +65°C

Humidity (operation)

(non-condensing)

Protection class

Complies with IP54

Connection

Connection type

Spring clamp

Wire cross-section

0,2 ... 0,5mm²

Packaging

Packaging size

1 piece

EAN 1 piece

4260578532068

Packaging dimensions (L x W x H) 1 piece

205 x 113 x 80 mm

Weight incl. cable/packaging 1 piece

550 gram

The function of the device depends on the software.

