

frogClip

For mounting the frogs on the top-hat rail or wall.



Technical Data

Category

Article description

frogClip

Article number

SU-Clip05.01

SU-Clip15.01

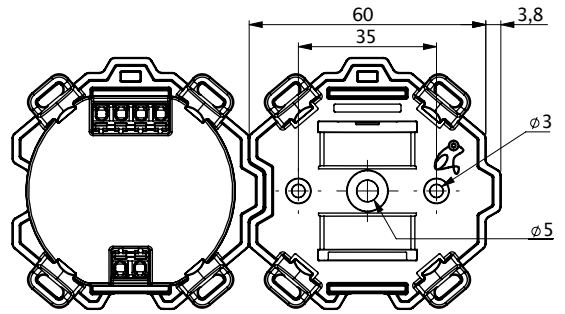
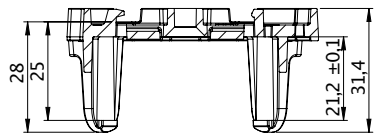
Mounting type

Top-hat rail TS35 or screw on flat surface

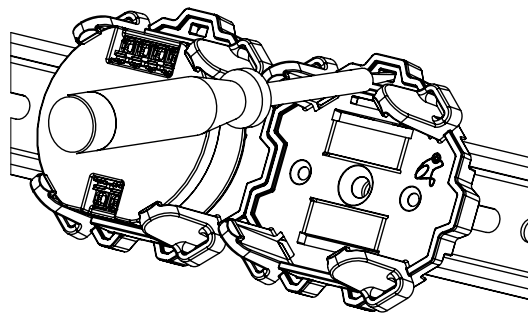
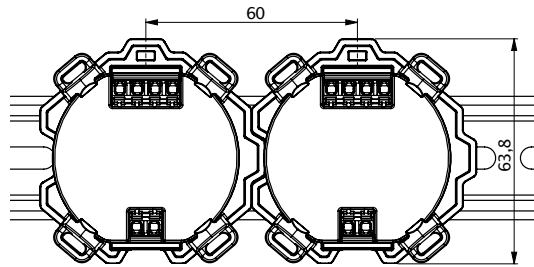
Dimensions and weight

Dimensions (L x W x H): 63,8 x 63,8 x 31,4 mm

Weight: 18g



Mounting example



Operation and storage

Storage temperature -25°C to +60°C

Packaging

| | |
|----------------------|---------------------|
| Packaging quantities | 5 pieces, 15 pieces |
| EAN 5 pieces | 4260578530880 |
| EAN 15 pieces | 4260578530897 |
| Packaging | Bag |

